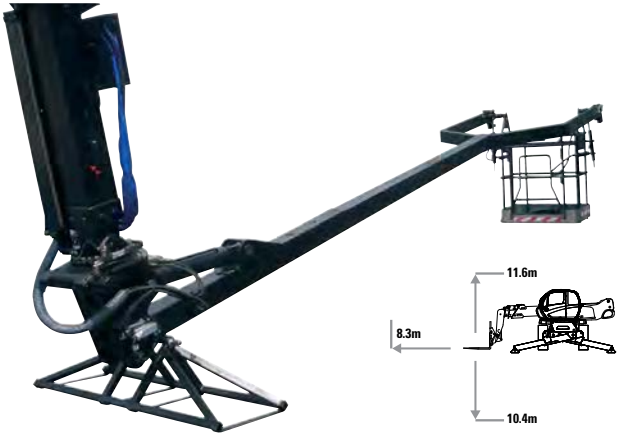




SYSTEM 3D



- Maximum safety in people lifting.
- Positive and negative work area, 170°/ 170° boom rotation.
- Telescopic vertical arm + negative working area allowing under-bridge operations.
- Legally approved for 2 people. (platform capacity includes 2 people).





Pendular platform allows work under-bridges



Safety: Boom position sensor, locking pin presence sensor



Anti-slip metal floor

* Reach reduced from 8365mm to 7625mm
 ** Cannot be transported on the machine

	System 3D	Assembly kit				Transport kit
Platform capacity (including workers) (kg)	200					
Working width (m)	1.1					
Slewing	340°					
Number of people (legally approved)	2					
Weight (kg)	1100					

Machine compatibility							
Reference	739501*	N/A	739475	N/A	N/A	N/A	N/A
MRT-X 1440	x		x				
E-RECO	921311	921312	739475	739476	743121	935116	53016823
MRT 1440 Easy €3B	x		x				
MRT 1840 Easy €3B	x		x				
MRT 2145 Easy €3B	x		x				
MRT 2150 + Privilege		x		x			
MRT 2550 + Privilege		x**			x		
MRT 3255		x				x	x

MANDATORY MACHINE EQUIPMENT:

